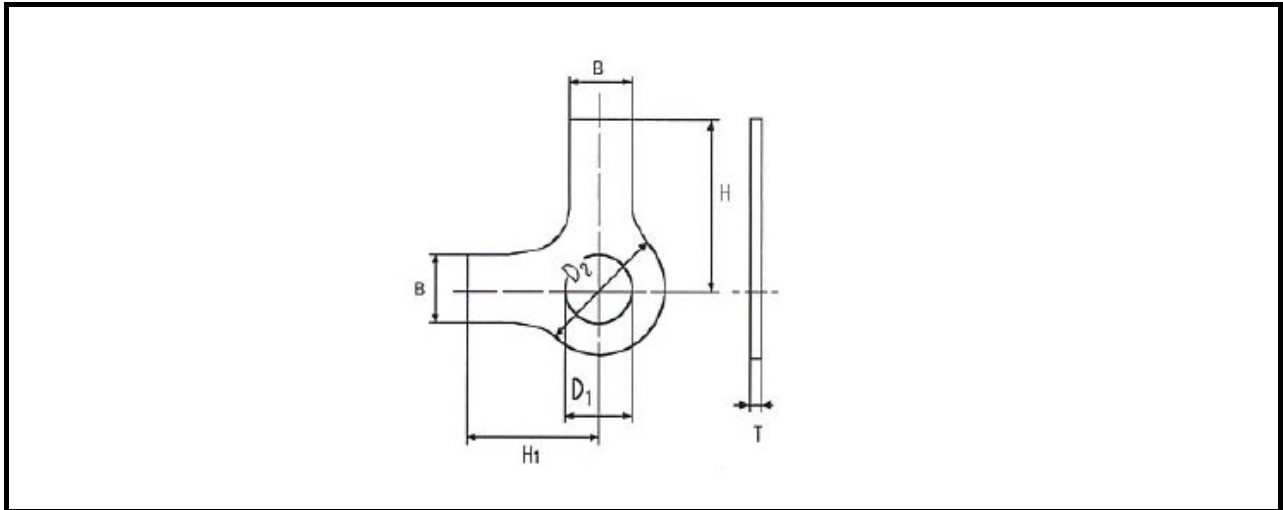


聯成五金(私人)有限公司

LIAN SENG HARDWARE PTE LTD

No.39 Gul Circle Singapore 629574

Two Tongues Washer



JIS Two Tongues Washer

unit: mm

Screw Size	Inner Dia (D1)	Outer Dia (D2)	Breath (B)	Height (H)	Height (H1)	Thickness (T)
M6	6.5	13.0	6.0	15.0	9.0	0.5
M8	8.5	16.0	7.0	20.0	13.0	0.5
M10	10.5	20.0	9.0	22.0	14.0	0.8
M11	11.5	22.0	9.0	24.0	17.0	0.8
M13	13.5	24.0	10.0	27.0	19.0	0.8
M14	15.0	26.0	10.0	30.0	21.0	0.8
M16	17.0	30.0	12.0	32.0	24.0	1.2
M19	20.0	38.0	15.0	36.0	28.0	1.2
M22	23.0	40.0	16.0	40.0	32.0	1.2
M25	27.0	48.0	20.0	48.0	38.0	1.6