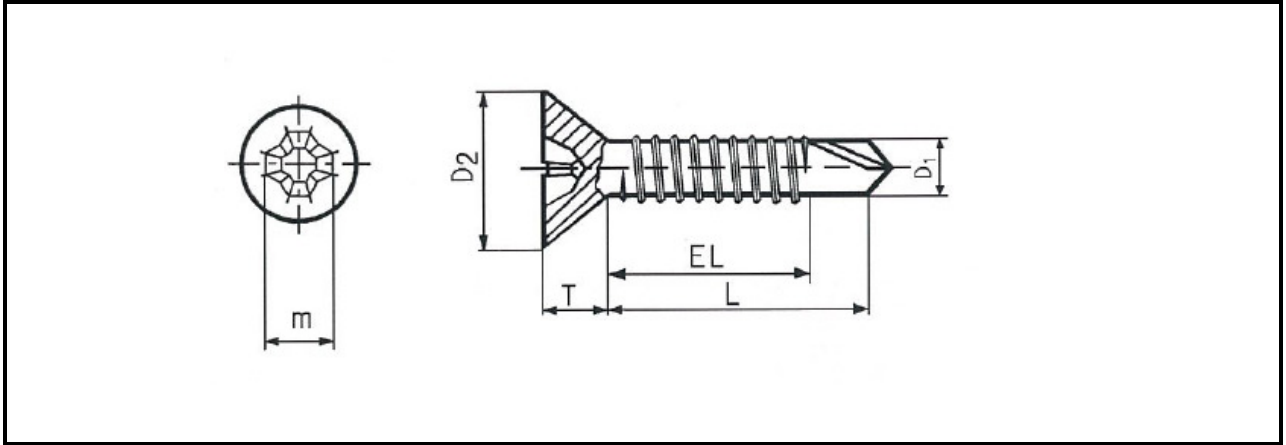


聯成五金(私人)有限公司

LIAN SENG HARDWARE PTE LTD

No.39 Gul Circle Singapore 629574

Self Drilling Screw (Phillips Flat Head)



unit: mm

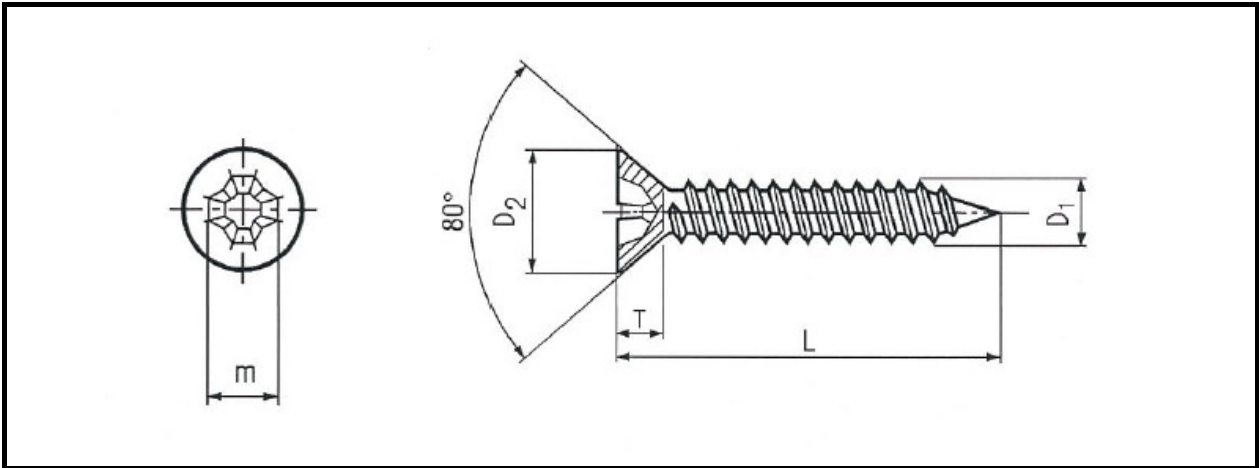
Nominal Dia (D1)	Head Dia (D2)	Head (T)	Phillips (m)	Thread (EL)	Length (L)	For Sheet Metal
M3.5	7.0	2.5	2	5-17	10-25	0.9-2.3
M4	8.0	2.7	2	5-55	10-65	1.2-3.2
M5	9.0	3.0	2	8-69	16-80	1.6-3.5

聯成五金(私人)有限公司

LIAN SENG HARDWARE PTE LTD

No.39 Gul Circle Singapore 629574

Self Tapping Screw (Phillips Flat Head)



DIN 7982/ ISO 7050

unit: Inch

Nominal Size	Head Dia (D2)		Head Thickness (T)		Recess Dia (M)		Phillips	Length (L)
	Max	Min	Max	Min	Max	Min		
#2	0.172	0.147	0.051	0.040	0.102	0.089	1	1/4"-3/4"
#4	0.225	0.195	0.067	0.055	0.128	0.145	1	1/4"-1.1/4"
#6	0.279	0.244	0.083	0.069	0.174	0.161	2	1/4"-3"
#8	0.332	0.292	0.100	0.084	0.189	0.176	2	1/4"-4"
#10	0.385	0.340	0.116	0.098	0.204	0.191	2	3/8"-4"
#12	0.438	0.389	0.132	0.112	0.268	0.255	3	1/2"-4"
#14	0.507	0.452	0.153	0.131	0.283	0.270	3	1/2"-4"