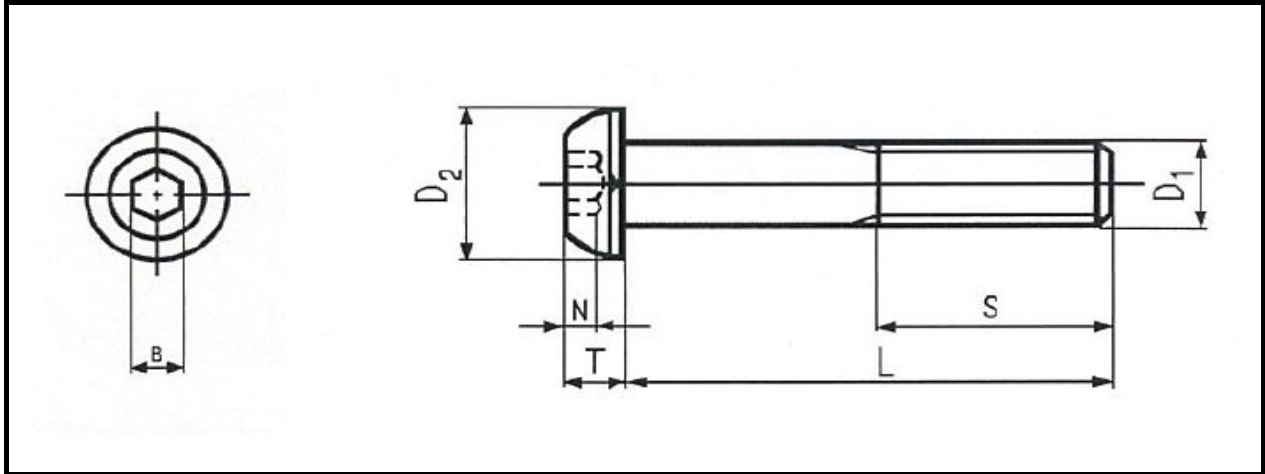


# 聯成五金(私人)有限公司

LIAN SENG HARDWARE PTE LTD

No.39 Gul Circle Singapore 629574

## Button Cap Screw



ISO 7380

unit: mm

Nominal Dia (D1)	Head Dia (D2)	Head (T)	Recess (N)	Socket (B)	Thread (S)	Length (L)	Pitch
M2	3.5	1.30	0.60	1.3	16.0	3-30	0.4
M2.5	4.5	1.50	0.80	1.5	17.0	3-40	0.45
M3	5.5/5.7	1.65	1.04	2.0	18.0	3-30	0.5
M4	7.5/7.6	2.20	1.30	2.5	20.0	4-40	0.7
M5	9.5	2.75	1.56	3.0	22.0	6-60	0.8
M6	10.5	3.30	2.08	4.0	24.0	8-80	1.0
M8	14.0	4.40	2.60	5.0	28.0	10-100	1.25
M10	18/17.5	5.50	3.12	6.0	32.0	12-100	1.5
M12	21.0	6.60	4.16	8.0	36.0	16-100	1.75
M16	28.0	8.80	5.20	10.0	44.0	25-80	2.0