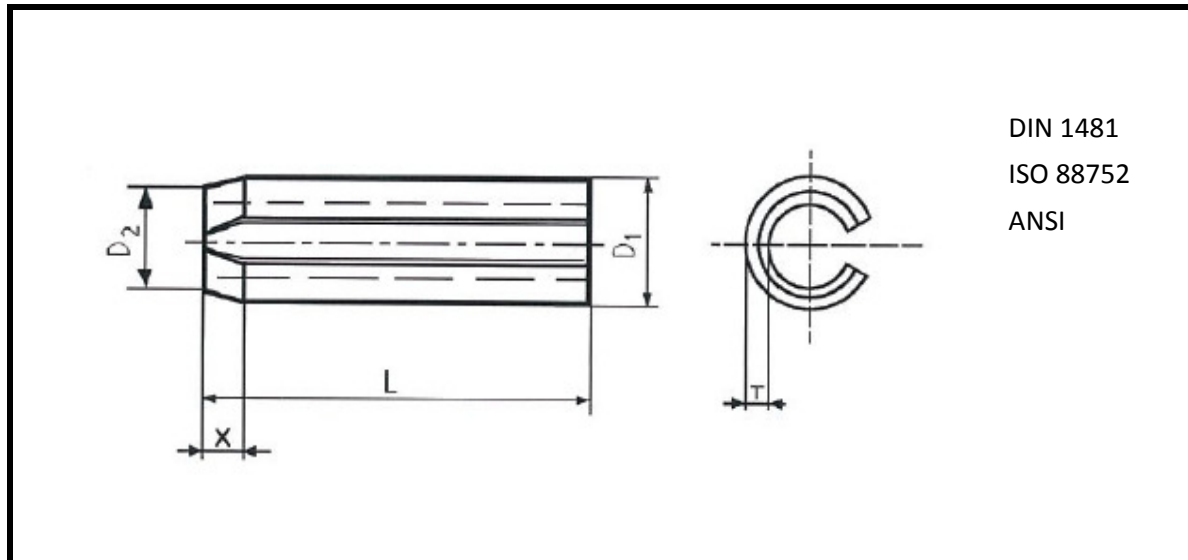


聯成五金(私人)有限公司

LIAN SENG HARDWARE PTE LTD

No.39 Gul Circle Singapore 629574

Spring Pin (Rolled Pin)



DIN 1481

unit: mm

Normal Diameter	Outer Dia (D1)	Inner Dia (D2)	Thickness (T)	Length (X)	Length (L)
M1	1.2	0.8	0.2	0.15	4-10
M1.5	1.7	1.1	0.3	0.25	4-20
M2	2.3	1.5	0.4	0.35	4-40
M2.5	2.8	1.8	0.5	0.40	6-50
M3	3.3	2.1	0.6	0.50	4-50
M3.5	3.8	2.3	0.75	0.60	8-50
M4	4.4	2.8	0.8	0.65	6-60
M4.5	4.9	2.9	1.0	0.80	16-50
M5	5.4	3.4	1.0	0.90	8-75
M6	6.4	4.0	1.2	1.20	8-80
M8	8.5	5.5	1.5	1.60	10-100
M10	10.5	6.5	2.0	2.00	16-100
M12	12.5	7.5	2.5	2.00	30-100
M14	14.5	8.5	3.0	2.00	40-100
M16	16.5	10.5	3.0	2.00	50-120
M20	20.5	12.5	4.0	3.00	100-200