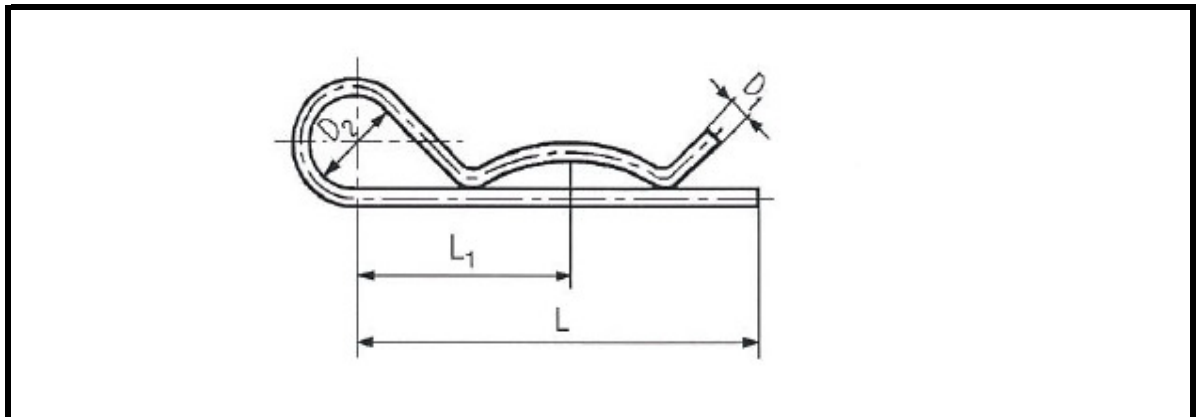


聯成五金(私人)有限公司

LIAN SENG HARDWARE PTE LTD

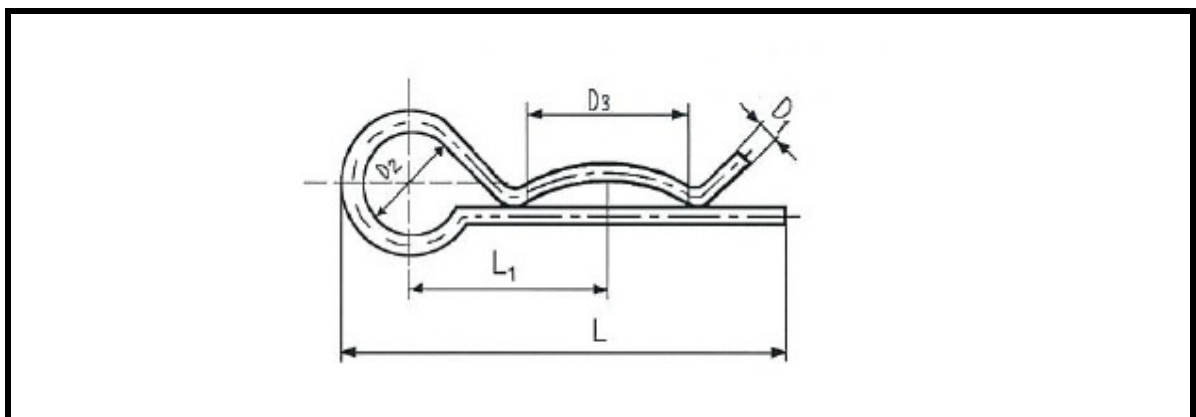
No.39 Gul Circle Singapore 629574

R - Pin



Snap Pin for a Bolt Spring Steel (Single Type)

Nominal Dia (D1)	For Shaft ϕ	Drill Size	Inner Dia (D2)	Length (L)	Length (L1)
$\phi 2$	9-14	2.5	10.0	50.0	25.0
$\phi 3$	10-16	3.5	18.0	60.0	28.0
$\phi 4$	16-20	4.5	20.0	60.0	30.0
$\phi 5$	20-28	6.0	24.0	85.0	40.0
$\phi 6$	28-40	7.0	30.0	105.0	50.0
$\phi 7$	28-45	8.0	30.0	105.0	50.0
$\phi 8$	30-45	9.0	28.0	110.0	55.0



Snap Pin for a Bolt Stainless Steel

Shaft Dia (D3)	Nominal Dia (D1)	Inner Dia (D2)	Length (L)	Length (L1)
$\phi 4$	1.0	3.0	16.3	6.0
$\phi 5$	1.0	3.0	17.8	6.5

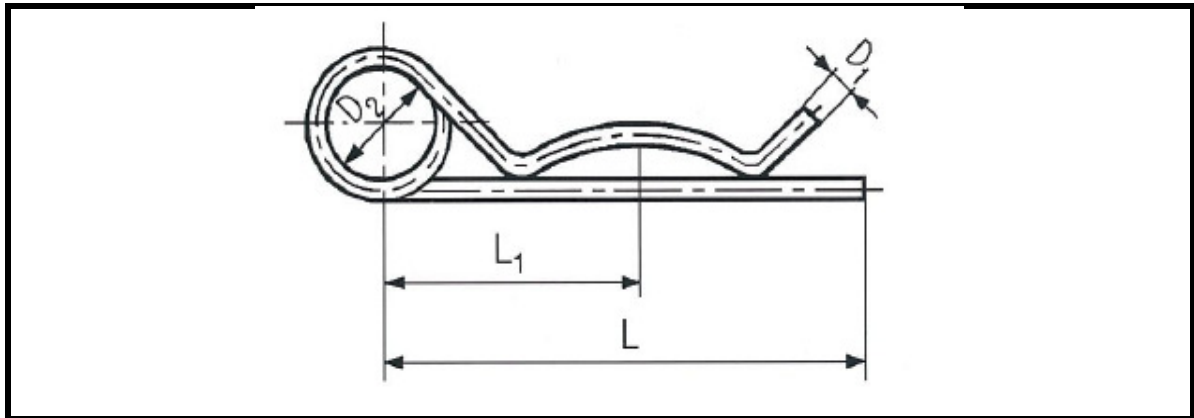
聯成五金(私人)有限公司

LIAN SENG HARDWARE PTE LTD

No.39 Gul Circle Singapore 629574

R - Pin

Ø6	1.2	3.6	21.2	7.8
Ø8	1.6	4.8	27.7	10.4
Ø10	1.8	5.4	32.6	12.2
Ø12	1.8	5.4	35.8	13.2
Ø14	2.0	6.0	40.6	15.0
Ø16	2.0	6.0	43.8	16.0



Snap Pin for a Bolt (Double Type)

Nominal Dia (D1)	For Shaft Ø	Drill Size	Inner Dia (D2)	Length (L)	Length (L1)
Ø2	8-14	2.5	10.0	50.0	25.0
Ø3	14-20	3.5	16.0	62.0	32.0
Ø4	17-24	4.5	23.0	78.0	44.0
Ø5	18-30	5.5	26.0	92.0	50.0
Ø6	24-36	6.5	30.0	120.0	70.0
Ø7	26-40	8.0	30.0	130.0	72.0
Ø8	24-40	9.0	30.0	130.0	76.0