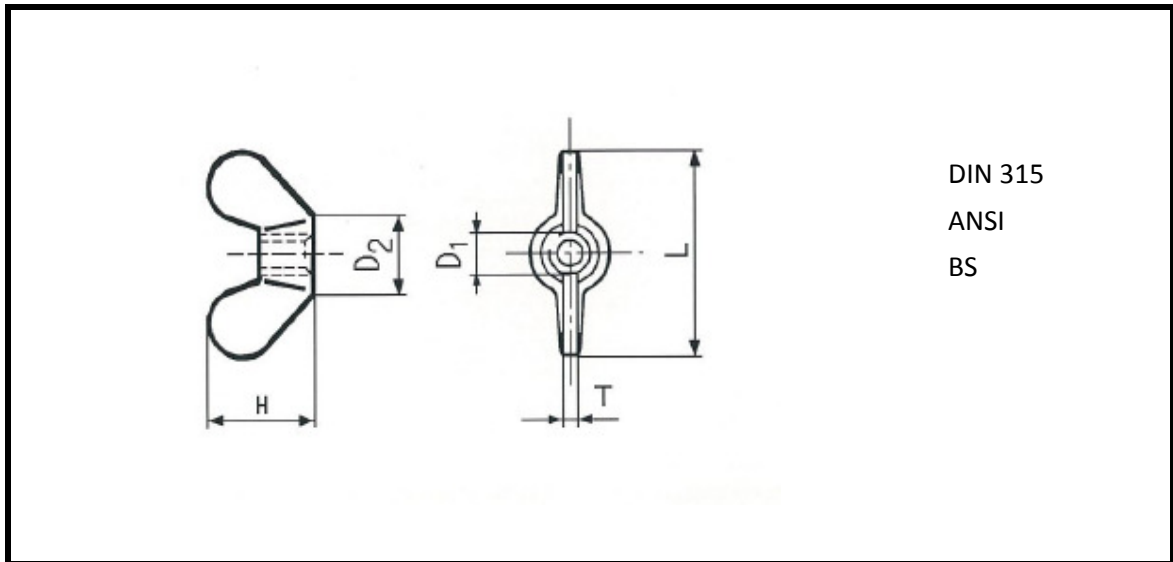


# 聯成五金(私人)有限公司

LIAN SENG HARDWARE PTE LTD

No.39 Gul Circle Singapore 629574

## Wing Nut



**DIN 315**

unit: mm

Thread dia (D1)	Outer Dia (D2)	Height (H)	Wing Thickness (T)	Wing Length (L)
M3	6.0	8.0	1.6	16.0
M4	8.0	10.5	1.9	20.0
M5	11.0	13.0	2.3	26.0
M6	13.0	17.0	2.3	33.0
M8	16.0	20.0	2.8	39.0
M10	20.0	25.0	4.4	51.0
M12	23.0	33.5	4.9	65.0
M14	28.0	36.0	6.0	72.0
M16	29.0	37.5	6.4	73.0
M20	35.0	46.5	6.9	90.0
M24	44.0	56.5	9.4	110.0