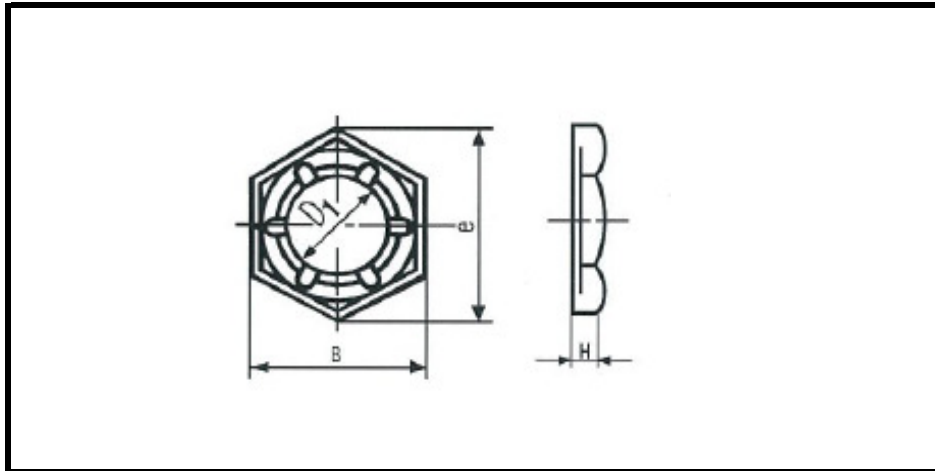


聯成五金(私人)有限公司

LIAN SENG HARDWARE PTE LTD

No.39 Gul Circle Singapore 629574

Pal Nut (Spring Lock)



DIN 7967

unit: mm

Inner Dia (D1)	Width (e)	Width (B)	Height (H)
M5	9.2	8.0	2.5
M6	11.5	10.0	3.0
M8	15.0	13.0	3.5
M10	19.6	17.0	4.0
M12	21.9	19.0	4.5
M14	25.4	22.0	5.0
M16	27.7	24.0	5.0
M18	31.2	27.0	5.5
M20	34.6	30.0	6.0
M24	41.6	36.0	7.0
M30	53.1	46.0	8.0