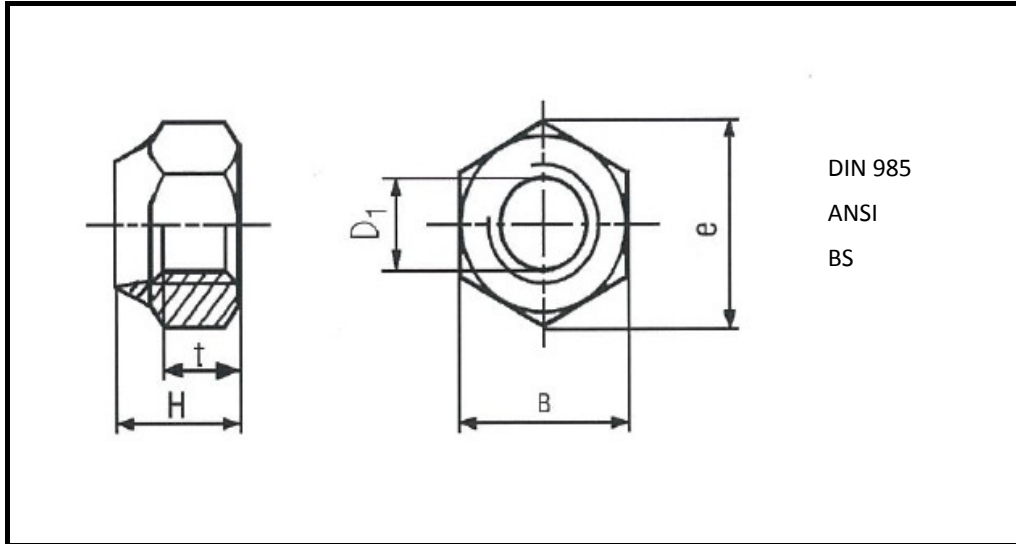


聯成五金(私人)有限公司

LIAN SENG HARDWARE PTE LTD

No.39 Gul Circle Singapore 629574

Lock Nut



DIN 985

unit: mm

Thread dia (D1)	Width (e)	Width (B)	Thickness (t)	Height (H)
M2	4.91	4.5	1.6	2.5
M2.5	5.51	5.0	2.0	3.8
M3	6.01	5.5	2.4	4.0
M4	7.66	7.0	2.9	5.0
M5	8.79	8.0	3.2	5.0
M6	11.05	10.0	4.0	6.0
M7	12.12	11.0	4.7	7.5
M8	14.38	13.0	5.5	8.0
M10	18.90	17.0/16.0	6.5	10.0
M12	21.10	19.0/18.0	8.0	12.0
M14	24.49	22.0/21.0	9.5	14.0
M16	26.75	24.0	10.5	16.0
M18	29.56	27.0	13.0	18.5
M20	32.95	30.0	14.0	20.0
M22	35.03	32.0/34.0	15.0	22.0
M24	39.55	36.0	15.0	24.0
M27	45.20	41.0	17.0	27.0
M30	50.85	46.0	19.0	30.0
M33	55.37	50.0	22.0	33.0
M36	60.79	55.0	25.0	36.0
M39	66.44	60.0	27.0	39.0
M42	72.09	65.0	29.0	42.0
M45	76.95	70.0	32.0	45.0
M48	82.60	75.0	36.0	48.0
M52	88.25	80.0	-	-
M56	93.56	85.0	-	-
M60	99.21	90.0	-	-
M64	104.86	95.0	-	-