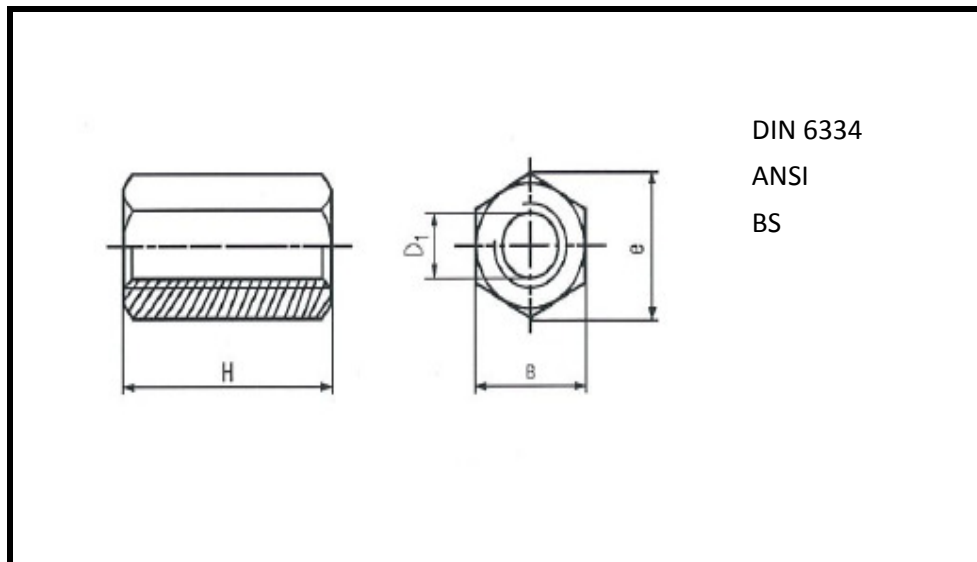


聯成五金(私人)有限公司

LIAN SENG HARDWARE PTE LTD

No.39 Gul Circle Singapore 629574

Hex Long Nut



DIN 6334

unit: mm

Nominal Dia (D1)	Width (e)	Width (B)	Height (H)
M6	11.05	10.0	12/30
M8	14.38	13.0	30/40/50
M10	18.90	17.0/16.0	30/50
M12	21.10	19.0/18.0	40/50
M16	26.75	24.0	48/60
M20	33.53	30.0	50/60
M24	41.60	36.0	60