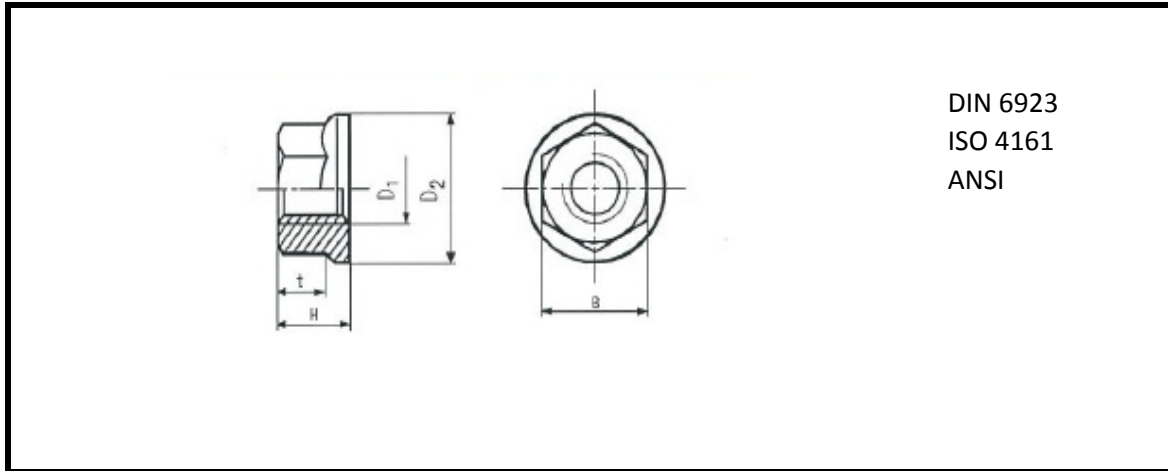


# 聯成五金(私人)有限公司

LIAN SENG HARDWARE PTE LTD

No.39 Gul Circle Singapore 629574

## Hex Flange Nut



**D**IN 6923

unit: mm

Thread Dia (D1)	Outer Dia (D2)	Width (B)	Thread (t)	Height (H)
M3	8.0	5.5	1.8	4.00
M4	10.0	7.0	2.0	4.65
M5	11.8	8.0	2.2	5.00
M6	14.2	10.0	3.1	6.00
M8	17.9	13.0	4.5	8.00
M10	21.8	15.0	5.5	10.00
M12	26.0	18.0	6.7	12.00
M14	29.9	21.0	7.8	14.00
M16	34.5	24.0	9.0	16.00
M20	42.8	30.0	11.1	20.00