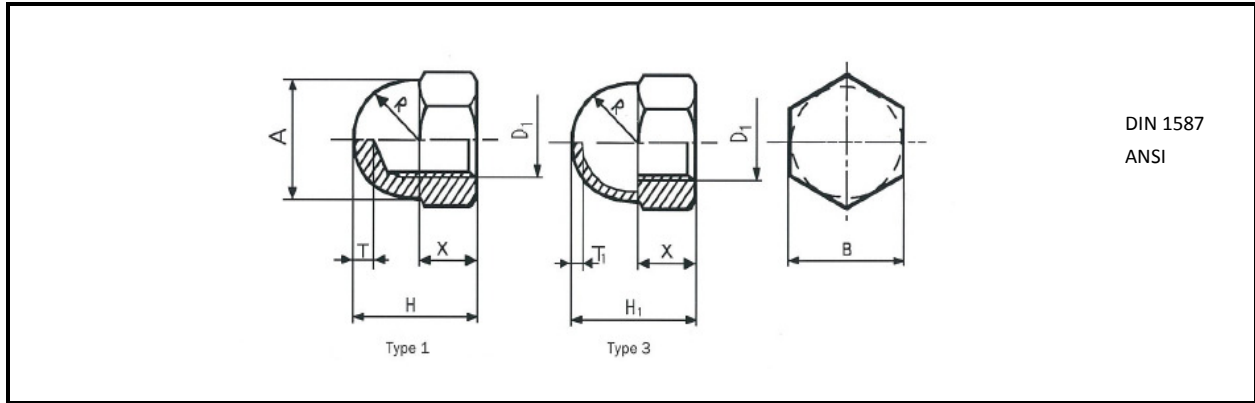


聯成五金(私人)有限公司

LIAN SENG HARDWARE PTE LTD
No.39 Gul Circle Singapore 629574

Cap Nut (Domed Cap Nut)



JIS DOMED CAP NUT

unit: mm

Thread dia (D1)	Height (H)	Height (H1)	Thickness (X)	Dome Dia (A)	Thickness (T)	Thickness (T1)	Dome Radius (R)	Width (B)
M4	9.5	6.2	3.2	5.6	0.5	0.6	3.0	7.0
M5	11.0	7.5	4.0	6.6	0.5	0.6	3.5	8.0
M6	12.0	9.5	5.0	8.5	0.5	0.6	4.5	10.0
M8	15.0	12.5	6.5	11.5	0.5	0.8	6.5	13.0
M10	18.0	15.5	8.0	14.5	0.5	1.0	7.5	17.0
M12	22.0	18.5	10.0	16.5	1.0	1.2	8.0	19.0
M16	28.0	24.0	13.0	21.5	1.0	1.6	11.0	24.0
M20	34.0	29.0	16.0	26.5	1.0	1.6	13.5	30.0
M24	41.0	35.5	19.0	32.5	1.0	2.0	16.5	36.0