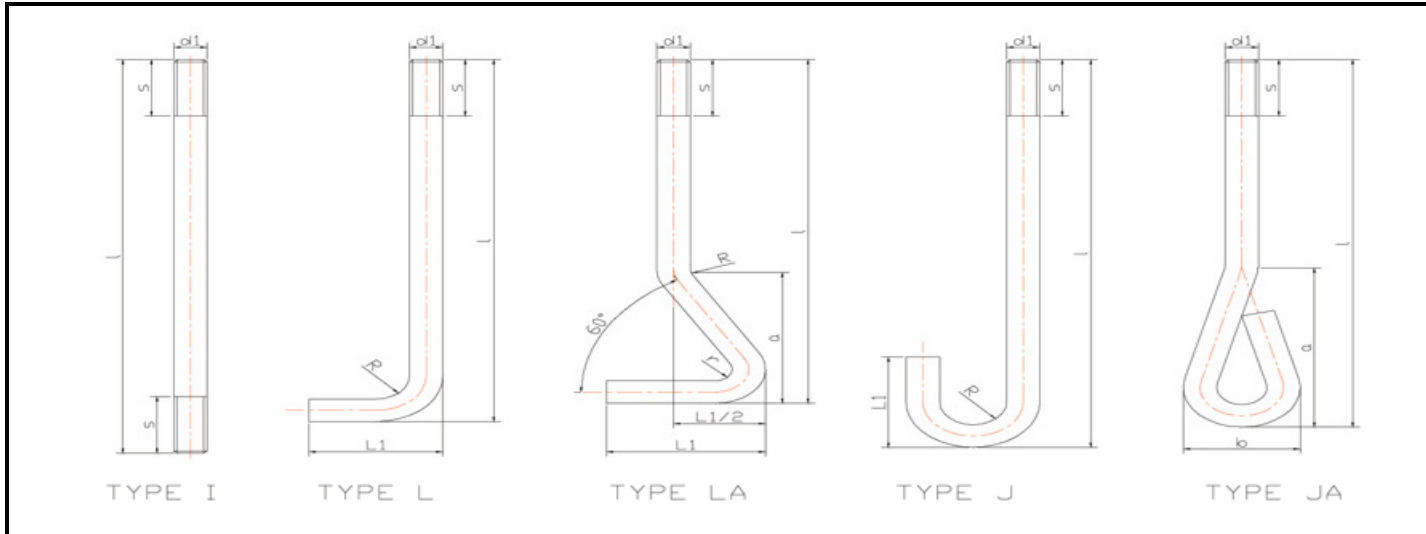


聯成五金(私人)有限公司

LIAN SENG HARDWARE PTE LTD

No.39 Gul Circle Singapore 629574

FOUNDATION BOLTS (ANCHOR BOLTS)



METRIC /KS B1016 JIS B1178

unit: mm

d	d1		S			L1 App		R App		a App		b App	K App			
	Basic	Tolerance	LJ	LA, JA	Tolerance	L, LA	J	LJ	LA	LA	JA	JA				
M8	8	±0.4	25	20	+6.3	32		20	8	41	50	35	1.2			
M10	10			30	0	40	45		10	51						
M12	12			35		50	56		25	64				65	40	2
M16	16	±0.5	40	40	+8	63	71	32	16	81	85	55	2			
M20	20			50	0	80	90		40	102				105	70	2.5
M24	24			63		100	112		50	127				125	80	3
M30	30	±0.6	80	90	+10	125	140	63	30	158	155	100	3.5			
M36	36	90		0	140	160	71		181	190				120	4	
M42	42	±0.8		112	125		180		200	90				42	226	220
M48	48	±0.9	125	150	+12.5	200	224	100	48	252	250	160	5			
		0														