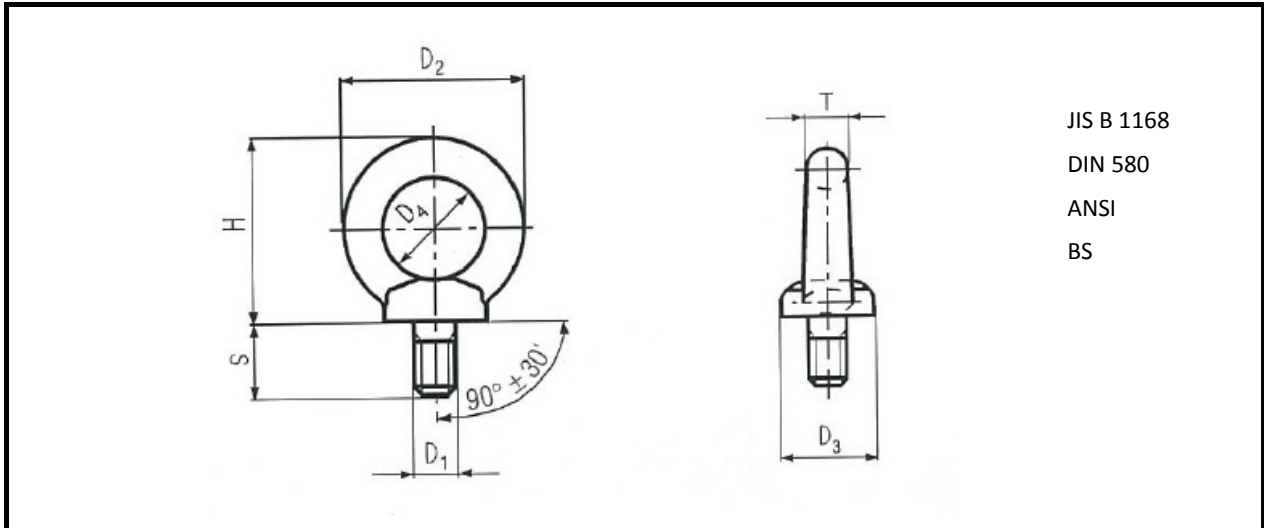


聯成五金(私人)有限公司

LIAN SENG HARDWARE PTE LTD

No.39 Gul Circle Singapore 629574

Lifting Eye Bolt



JIS B 1168

DIN 580

ANSI

BS

DIN 580

unit: mm

Thread Dia (D1)	Loop Dia (D2)	Body Dia (D3)	Inner Loop Dia (D4)	Loop Height (H)	Thread Length (S)	Loop Width (T)
M8	32.6	16.0	20.0	33.3	15.0	6.3
M10	41.0	20.0	25.0	41.5	18.0	8.0
M12	50.0	25.0	30.0	51.0	22.0	10.0
M16	60.0	30.0	35.0	60.0	27.0	12.5
M20	72.0	35.0	40.0	71.0	30.0	16.0
M22	81.0	40.0	45.0	80.5	36.0	18.0
M24	90.0	45.0	50.0	90.0	38.0	20.0
M30	110.0	60.0	60.0	110.0	45.0	25.0
M36	133.0	70.0	70.0	131.5	55.0	31.5
M42	151.0	80.0	80.0	150.5	65.0	35.5
M48	170.0	90.0	90.0	170.0	70.0	40.0
M64	210.0	110.0	110.0	210.0	90.0	50.0
M80 x6	266.0	130.0	140.0	263.0	105.0	63.0
M90 x 6	302.0	150.0	160.0	301.0	120.0	71.0
M100 x 6	340.0	170.0	180.0	335.0	130.0	80.0